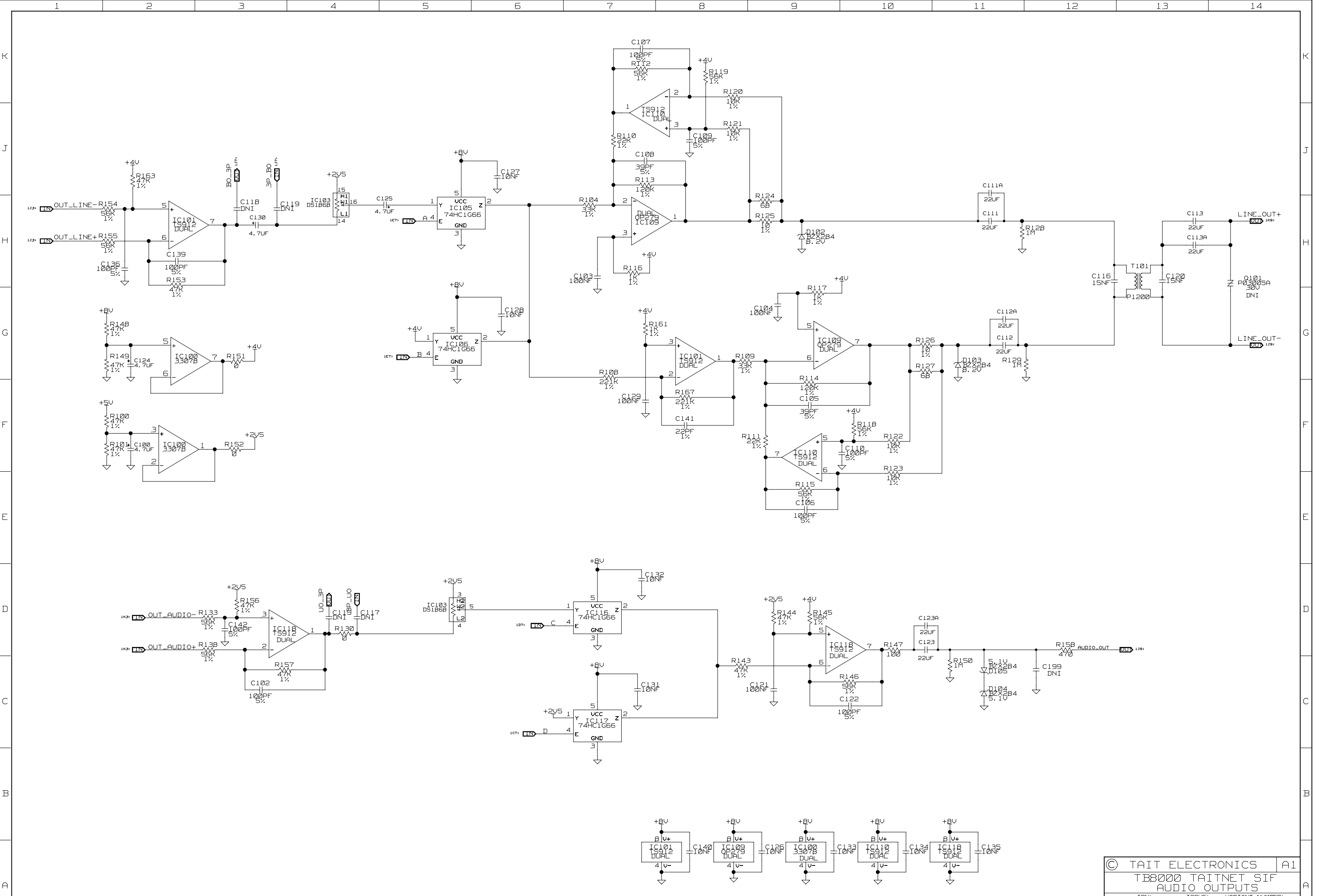


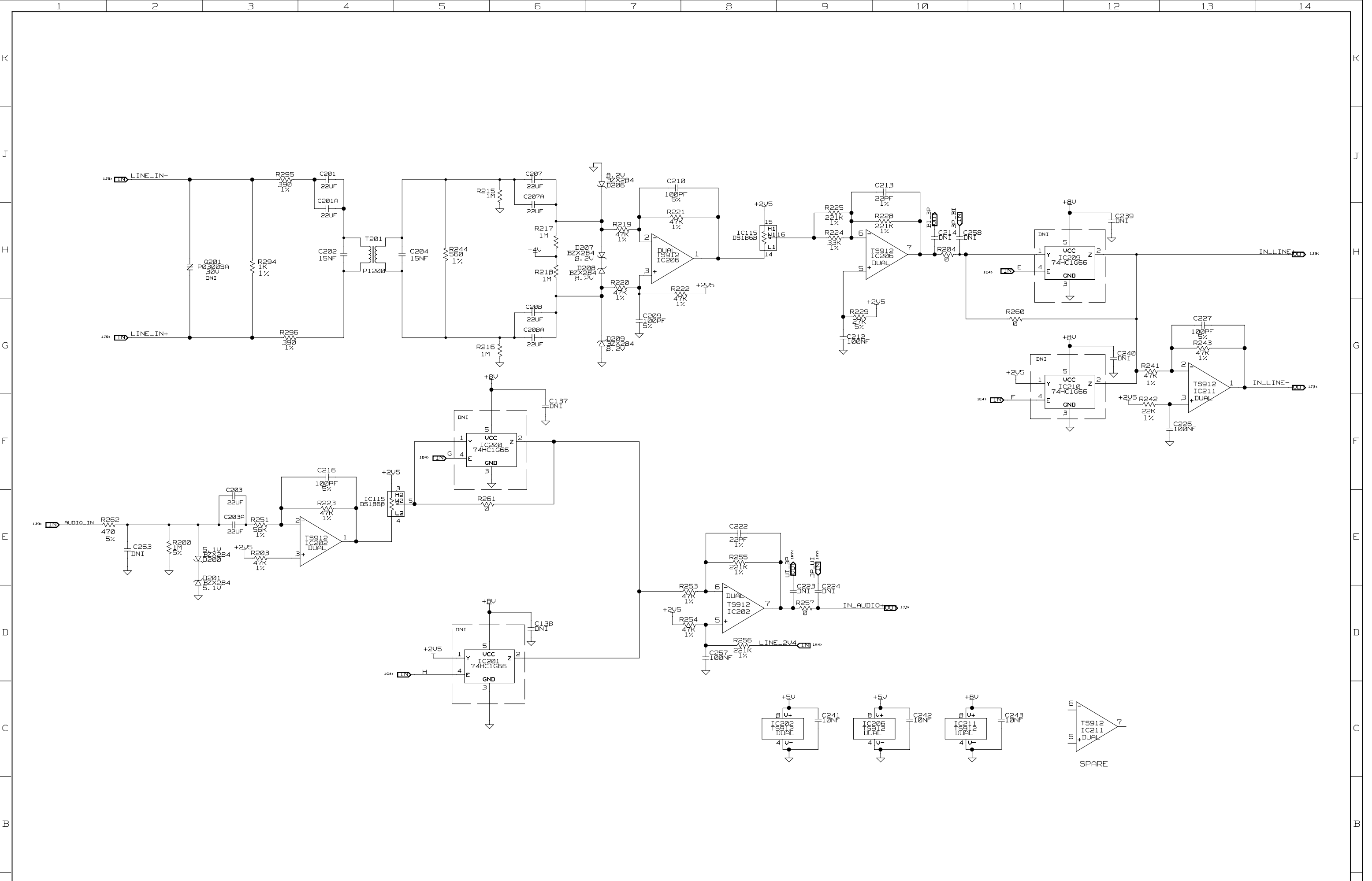
REV/ISS	AMENDMENTS	DRAWN	CHKD	D. O.	APVD	DATE
02B	SCHEMATIC REGENERATED.	TB		CJK		05/12/05
02A	CONNECTOR CHANGED	ML		CJK		05/12/05
01A	LONED FROM 220-032-04 AND MODIFIED FOR RS232	ML		CJK		25/06/04

© TAIT ELECTRONICS		A1
TB000 TAITNET SIF CONNECTORS & MISC.		
IPN: 220-02054-02	ISSUE: B	VARIANT NUMBER: ?
FILE DATE: Wed May 11 16:53:32 2005		
ENGINEER: M.Lim	FILE NAME: 220_02054	SHEET NUMBER: 1 OF 5



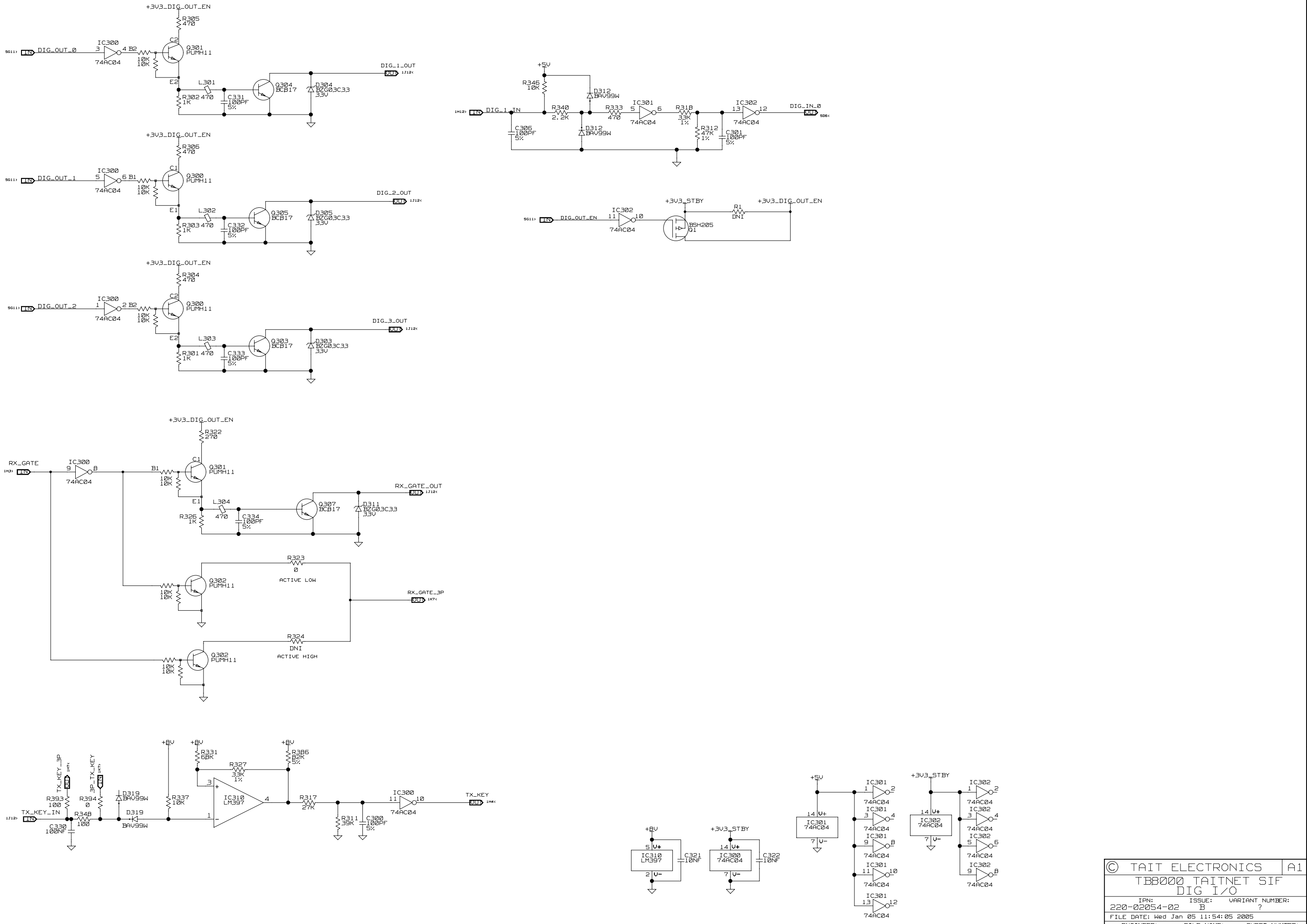
© TAIT ELECTRONICS A1  
 TB8000 TAITNET SIF  
 AUDIO OUTPUTS  
 IPN: 220-02054-02 ISSUE: B VARIANT NUMBER: ?  
 FILE DATE: Wed Jan 05 11:54:03 2005  
 ENGINEER: M.L.m FILE NAME: 220\_02054 SHEET NUMBER: 2 OF 5

REV/ISS	AMENDMENTS	DRAWN	CHKD	D.O.	APVD	DATE
1						
2						
3						
4						
5						



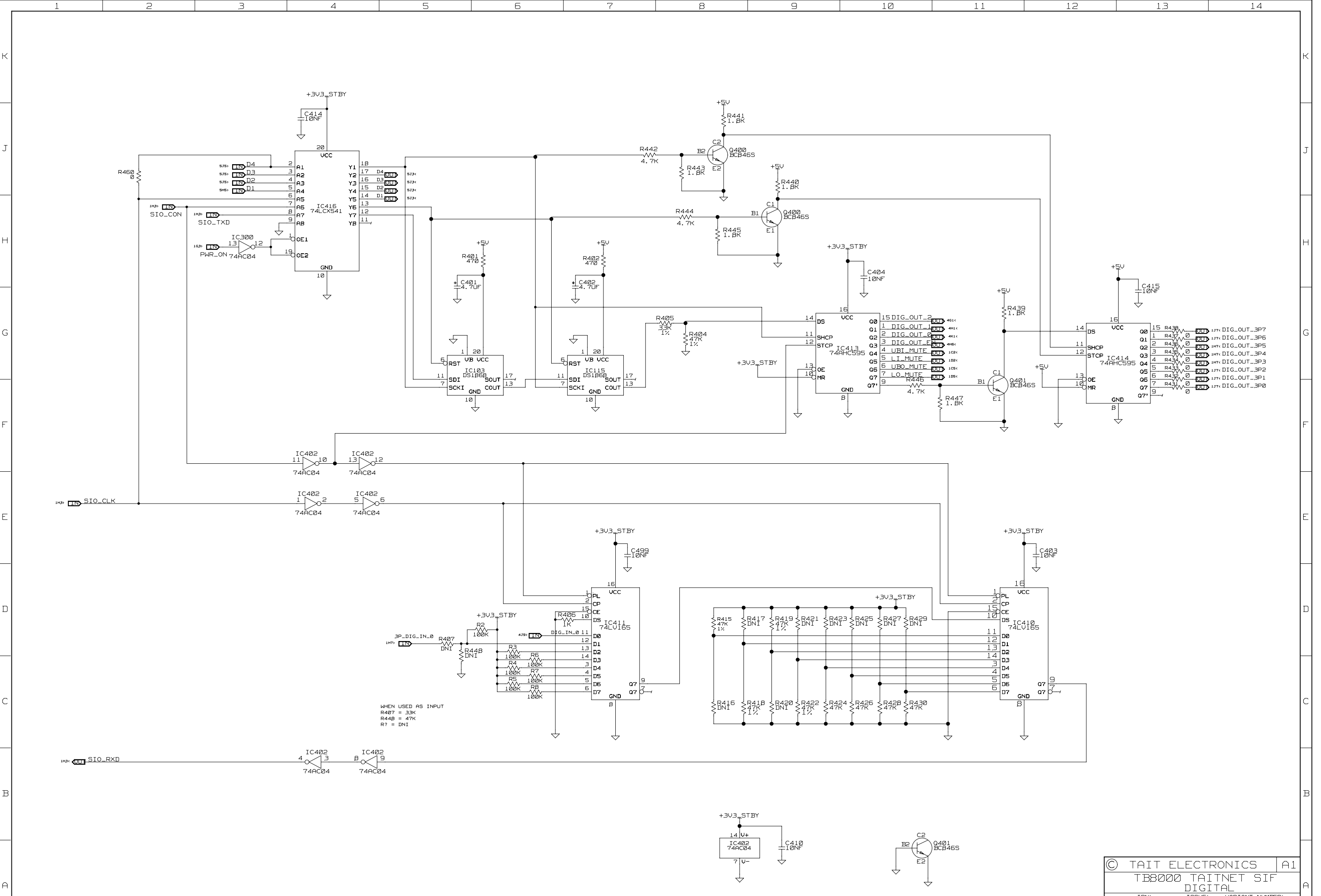
© TAIT ELECTRONICS		A1
TB8000 TAITNET SIF AUDIO INPUTS		
IPN: 220-02054-02	ISSUE: B	VARIANT NUMBER: ?
FILE DATE: Wed Jan 05 11:54:04 2005		
ENGINEER: M.L.M	FILE NAME: 220_02054	SHEET NUMBER: 3 OF 5

REV/ISS	AMENDMENTS	DRAWN	CHKD	D.O.	APVD	DATE
1						
2						
3						
4						
5						



© TAIT ELECTRONICS		A1
TB8000 TAITNET SIF DIG I/O		
IPN: 220-02054-02	ISSUE: B	VARIANT NUMBER: ?
FILE DATE: Wed Jan 05 11:54:05 2005		
ENGINEER: M.Lim	FILE NAME: 220_02054	SHEET NUMBER: 4 OF 5

REV/ISS	AMENDMENTS	DRAWN	CHKD	D.O.	APVD	DATE
1						
2						
3						
4						
5						

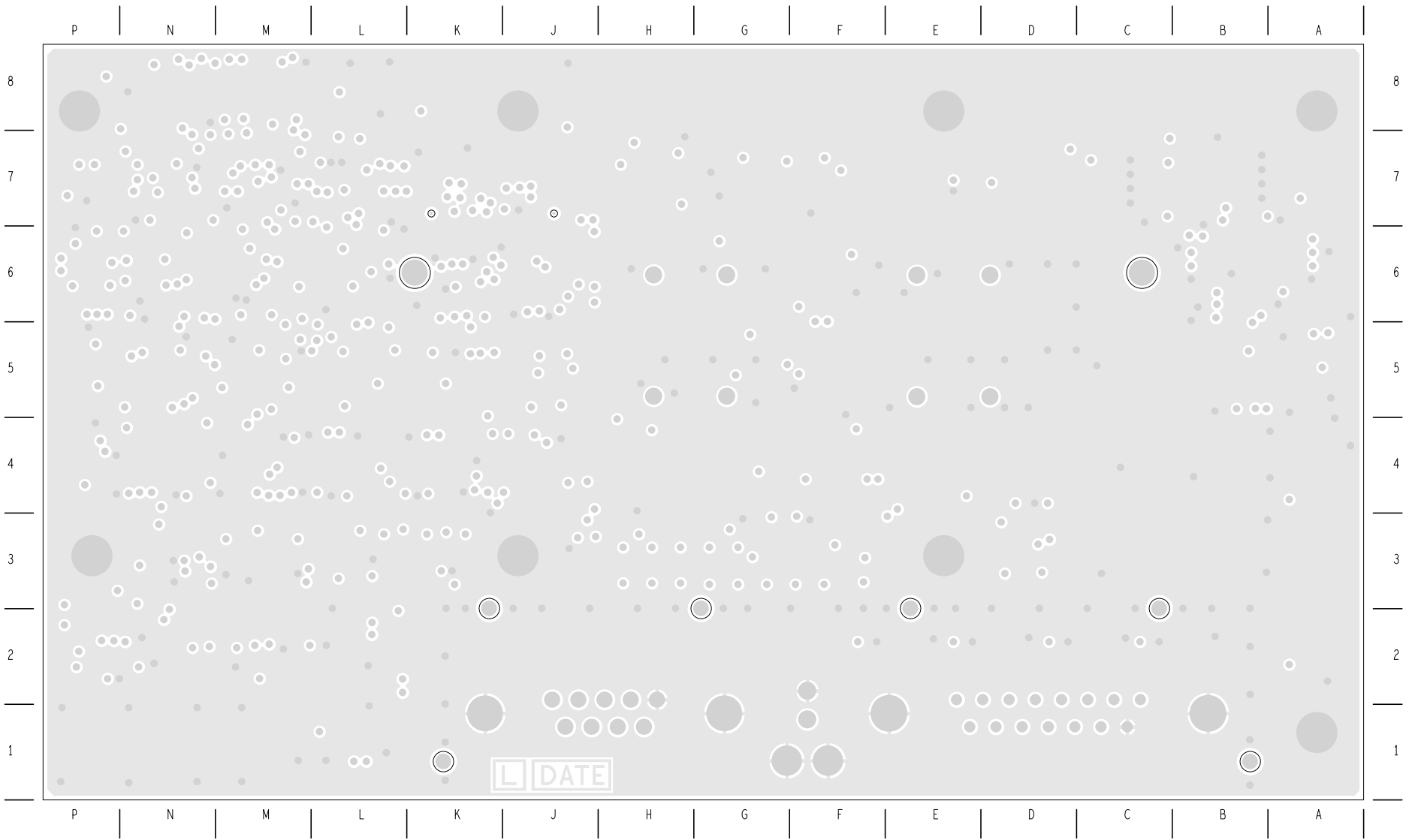


WHEN USED AS INPUT  
 R407 = 33K  
 R44B = 47K  
 R7 = DNI

© TAIT ELECTRONICS		A1
TB8000 TAITNET SIF		
DIGITAL		
IPN:	ISSUE:	VARIANT NUMBER:
220-02054-02	B	?
FILE DATE: Wed Jan 05 13:28:33 2005		
ENGINEER:	FILE NAME:	SHEET NUMBER:
M.Lim	220_02054	5 OF 5

REV/ISS	AMENDMENTS	DRAWN	CHKD	D.O.	APVD	DATE
1						
2						
3						
4						
5						
6						
7						
8						
9						
10						
11						
12						
13						
14						





TAIT ELECTRONICS	IPN: 220-02054-02	ISS: A	DATE: 120c+04	SCALE: NTS
TB8000 TAITNET RS232 SIF LAYOUT-SECONDARY-SIDE				